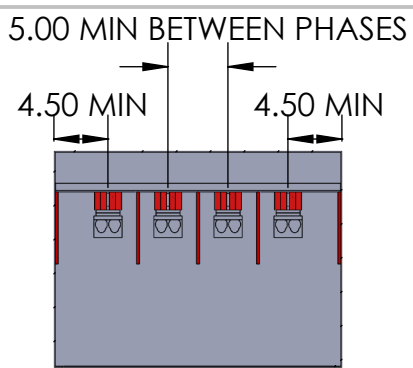
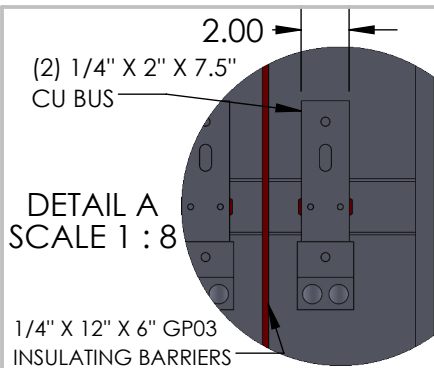


2

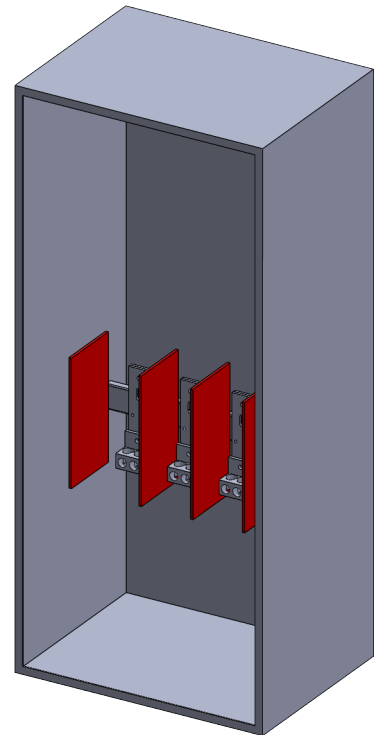
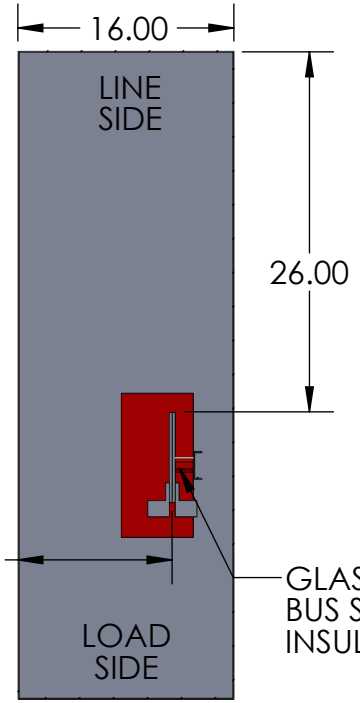
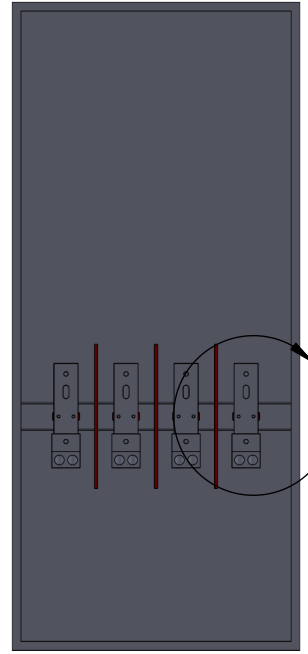
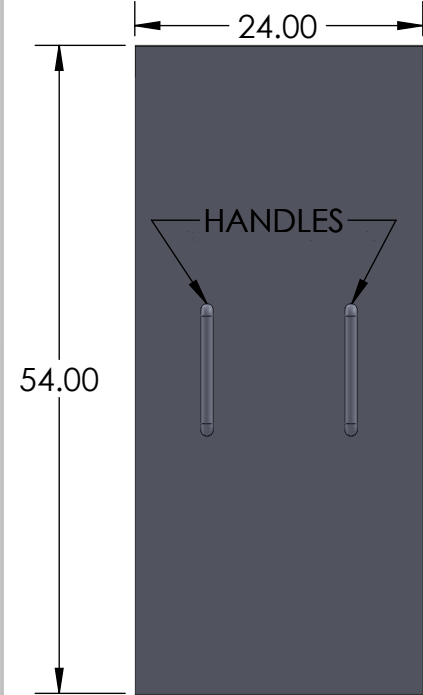
1



- NOTES:
1. BOX AND COVER CONSTRUCTION - GALV STEEL (12GA)  
FINISH: POWDER COAT GRAY ENAMEL
  2. BUS BARS - COPPER 98% CONDUCTIVITY
  3. BOX SHALL HAVE NAMEPLATE WITH MANUFACTURER'S NAME
  4. FRONT COVER SHALL BE SEALABLE WITH (2) HANDLES
  5. LINE SIDE: PROVISION FOR (1) 600 MCM - LUGS NOT INCLUDED
  6. LOAD SIDE : MOUNT UP TO (3) 600 MCM - MECHANICAL LUGS INCLUDED
  7. NEMA 3R CONSTRUCTION INCLUDES SEAM WELDED BODY, OUTSIDE MOUNTING TABS ON ALL FOUR CORNERS, GASKETED COVERS
  8. "120/208v" BLACK LABEL WITH WHITE LETTERING LOCATION ON INSIDE AND OUTSIDE OF THE ENCLOSURE
  9. FOR 120/208V SERVICE ONLY  
FOR 277/480V SERVICE SEE 348210-72-N3R OR 348211-96-N3R

B

B



FRONT COVERED

FRONT OPEN

SIDE SECTIONED

A

A

	NAME	DATE
DRAWN BY	N. BOSETTI	12/30/2025
APPROVED BY		

**PROPRIETARY AND CONFIDENTIAL**  
THE INFORMATION CONTAINED IN THIS DRAWING IS THE SOLE PROPERTY OF Nav-Tech Inc. ANY REPRODUCTION IN PART OR AS A WHOLE WITHOUT THE WRITTEN PERMISSION OF Nav-Tech Inc. IS PROHIBITED.



155 MARCUS BLVD  
HAUPPAUGE, NEW YORK 11788  
PH: (718) 257-2111 FAX: (718) 257-2626

**UNLESS OTHERWISE SPECIFIED:**  
TOLERANCE:  
FRACTIONAL ±1/64 ANGULAR: MACH ± 30°  
BEND ± 1°  
0.00" = ± 0.01"  
0.000" = ± 0.005"  
DIMENSIONS IN INCHES [SECONDARY IN MM]

MATL: 12 GA GALV

FINISH: POWDER COAT GREY

WEIGHT:

UNLESS OTHERWISE SPECIFIED

1. REMOVE ALL BURRS AND BREAK ALL SHARP EDGES .015 X 45° OR .015R

2. DIMENSIONAL LIMITS APPLY AFTER PLATING

3. 125/ MACHINED SURFACES EXCEPT AS NOTED

DRAWING TITLE: EO-54-N3R CUT SHEET

PART #: NAV-EO-54-9525B-N3R

DESCRIPTION: NEMA 3R SERVICE BOX  
120/208V SERVICE UP TO 1 SET LINE SIDE  
SPECIFIED TO CON ED EO-9525-B

<b>DO NOT SCALE DRAWING</b>	SCALE: 1:16	SIZE A	SHEET 1 OF 1	REV. 7
-----------------------------	-------------	--------	--------------	--------

2

1